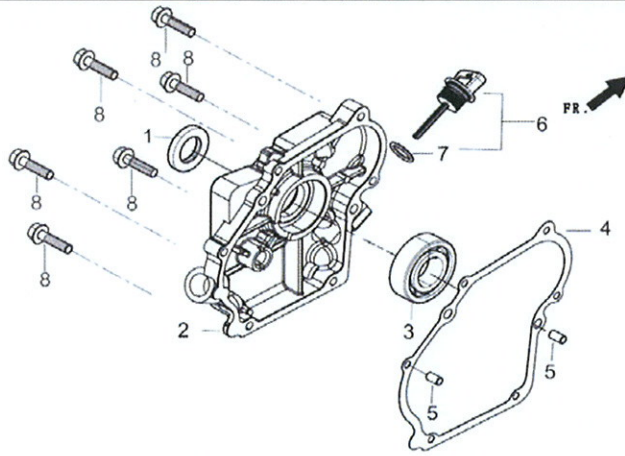


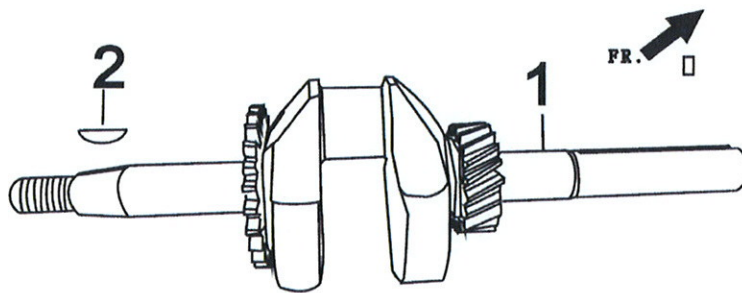
R 100 .

**FIG.3 COVER SUBASSEMBLY, CRANKCASE (E01)**



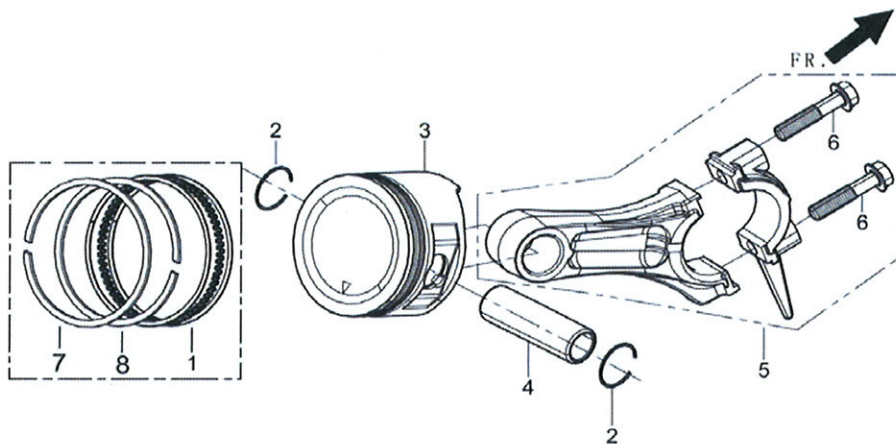
REF.NO.	Reference Externe External reference	Reference	Disponible / Available	DESIGNATION - DESCRIPTION	QTY
E01-1	90682-Z510110-0000	000 1150004		SEAL, OIL	1
E01-2	11411-Z510110-0000			COVER, CRANKCASE	1
E01-3	90548-0303-NS	000 2010213		BEARING	1
E01-4	11001-Z510110-0000	000 115 0006		GASKET, CRANKCASE	1
E01-5	90502-0812-00			PIN	2
E01-6	15010-Z510110-G400	000 1200025		DIPSTICK SUBASSEMBLY, OIL	1
E01-8	90001-0625-01			BOLT	6

**FIG.4 ROD, CRANKSHAFT CONNETING (E03)**



REF.NO.	Reference Externe External reference	Reference	Disponible / Available	DESIGNATION - DESCRIPTION	QTY
E03-1	13300-Z510410-0000	000 1150012		CRANKSHAFT ASSY.	1

**FIG.5 RING SET, OIL / ROD, CRANKSHAFT CONNETING ( E03 )**



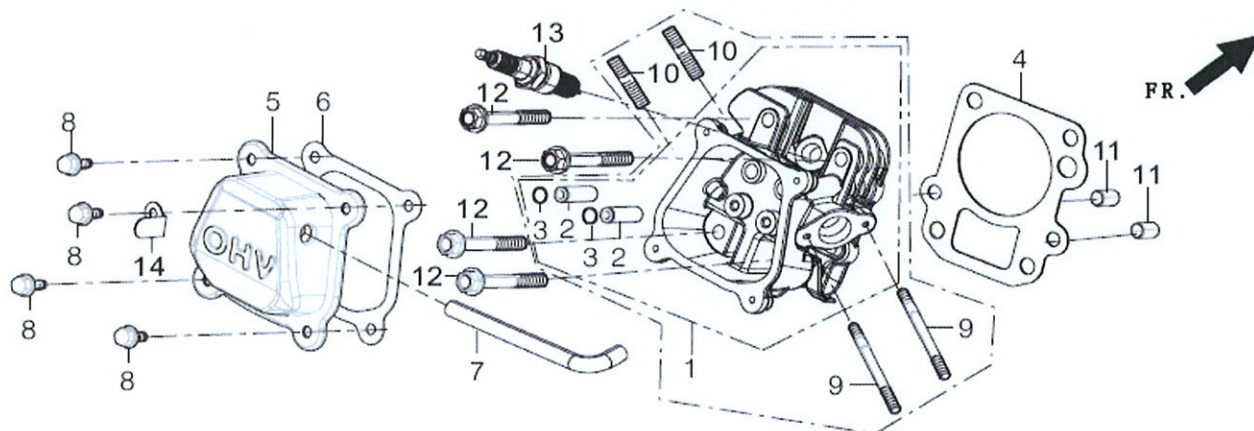
REF.NO.	Reference Externe External reference	Reference	Disponible / Available	DESIGNATION - DESCRIPTION	QTY
E04-1	13210-Z510110-0000	1		RING SET, OIL	1
E04-2	13122-Z510110-0000	000 115 0013		CLIP, PISTON PIN	2
E04-3	13111-Z510110-0000	000 1210201		PISTON	1
E04-4	13121-Z510110-0000	000 115 0010		PIN, PISTON	1
E04-5	13010-Z510110-0000	000 1150011		ROD, CONNECTING	1
E04-7	13201-Z510110-0000	1		RING, THE FIRST	1
E04-8	13202-Z510110-0000	000 1210202		RING, THE SECOND	1



PUBERT R100 PARTS CATALOGUE

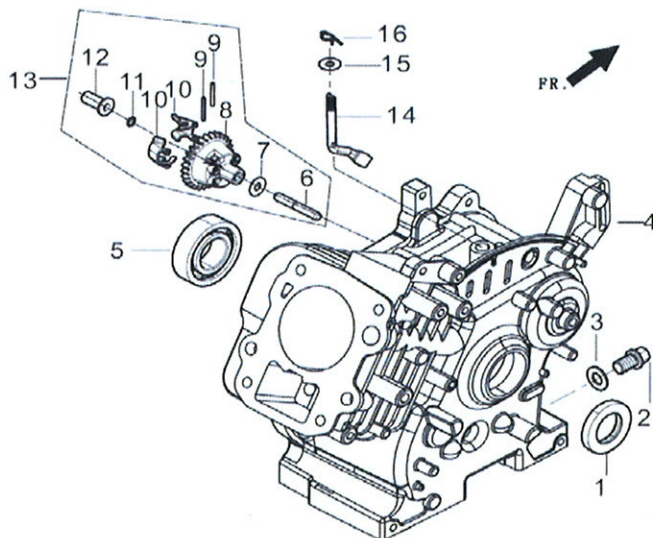
Z51-002

FIG.1 HEAD SUBASSEMBLY, CYLINDER / PLUG, SPARK ( E04)



REF.NO.	Reference Externe External reference	Reference	Disponible / Available	DESIGNATION - DESCRIPTION	QTY
E04-1	12140-Z510110-0000	000 M50103		HEAD SUBASSEMBLY, CYLINDER	1
E04-4	12131-Z510110-0000	000 M50001		GASKET, CYLINDER HEAD	1
E04-5	12410-Z300120-0000	000 M8 0001		COVER SUBASSEMBLY, CYLINDER HEAD	1
E04-6	12004-Z010110-0000	000 M8 0002		GASKET, CYLINDER HEAD COVER	1
E04-7	17004-Z510110-0000	000 M50034		TUBE, BREATHER	1
E04-8	90001-0612-01			BOLT	4
E04-9	90204-Z010210-0000			STUD	2
E04-10	90203-Z010110-0000			STUD	2
E04-11	90502-0814-00			PIN	2
E04-12	12003-Z510110-0000			BOLT, CYLINDER HEAD	4
E04-13	30010-Z020210-0000	000 A000 599		PLUG, SPARK	1
E04-14	30006-Z510110-0000	000 M50100		BLOCK, HIG TENSION LINE	1

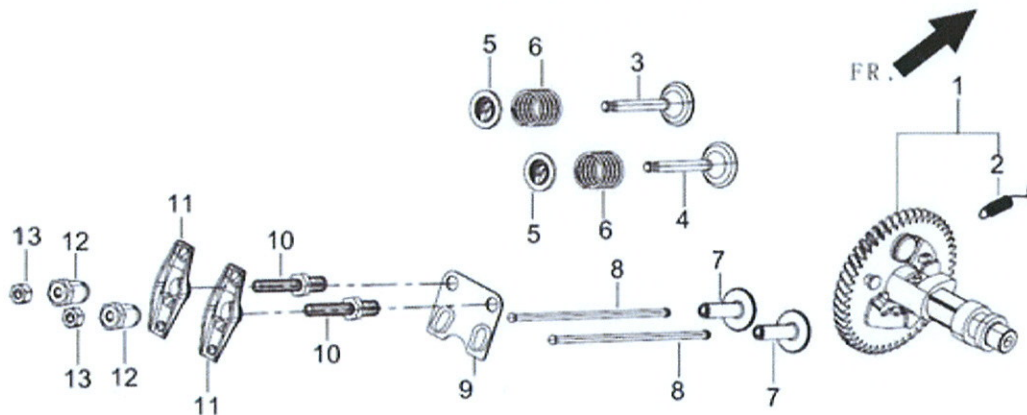
FIG.2 CRANKCASE. / GEAR ASSY, GOVERNOR. (E17)



REF.NO.	Reference Externe External reference	Reference	Disponible / Available	DESIGNATION - DESCRIPTION	QTY
E17-1	90682-Z510110-0000	000 M50004		OIL-SEAL	1
E17-2	11007-Z010110-0000	9501004145		BOLT, DRAIN PLUG	1
E17-3	90408-Z010110-0000			WASHER, FLAT	1
E17-4	11310-Z510110-0000			CRANKCASE SUBASSEMBLY.	1
E17-5	90548-0203-NS	0002010226		BEARING	1
E17-13	16400-Z510110-0000			GEAR ASSY, GOVERNOR	1
E17-14	16061-Z510110-0000			ARM, GOVERNOR	1
E17-15	90575-0612-06			SPLIT	1
E17-16	90501-Z010110-0000			PIN	1

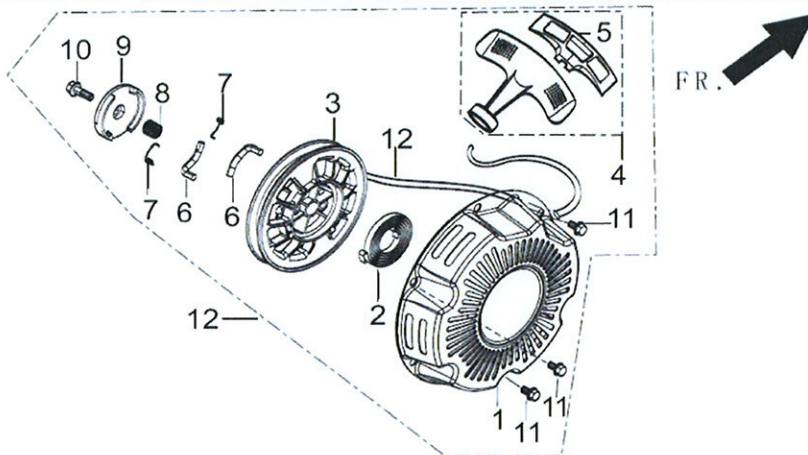


**FIG.6 TRAIN,VALVE / CAMSHAFT SUBASSEMBLY ( E05 )**



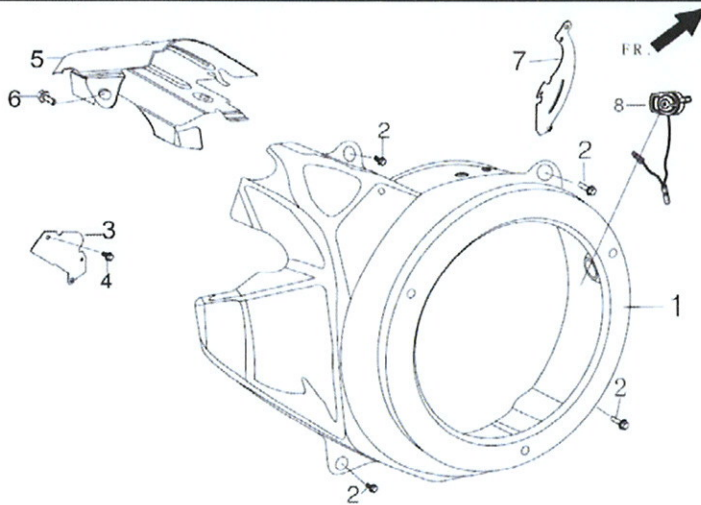
REF.NO.	Reference Externe External reference	Reference	Disponible / Available	DESIGNATION - DESCRIPTION	QTY
E04-1	14200-Z510110-0000			CAMSHAFT ASSY.	1
E04-3	12111-Z510110-0000	0001150115		VALVE, EXHAUST	1
E04-4	12121-Z510120-0000	0001150032		VALVE, INTAKE	1
E04-5	12112-Z300110-0000			SEAT, VALVE SPRING	2
E04-6	12103-Z510110-0000			SPRING, VALVE	2
E04-7	14081-Z510110-0000			TAPPET, VALVE	2
E04-8	14070-Z510110-0000			LIFTER SUBASSEMBLY, VALVE	2
E04-9	14090-Z510110-0000	0001150108		PLATE SUBASSEMBLY, LIFTER STOPPER	1
E04-10	14313-Z510110-0000			BOLT, VALVE ADJUSTING	2
E04-11	14311-Z510110-0000			ROCKER, VALVE	2
E04-12	14314-Z300110-0000			NUT , VALVE ADJUSTING	2
E04-13	14312-Z300110-0000			NUT, VALVE LOCK	2

**FIG.7 STARTER,RECOIL ( E08 )**



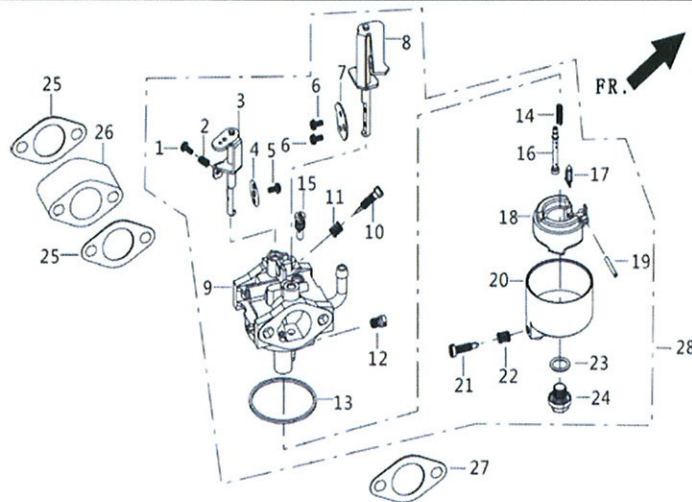
REF.NO.	Reference Externe External reference	Reference	Disponible / Available	DESIGNATION - DESCRIPTION	QTY
E08-11	90001-0608-01			BOLT	3
E08-12	28200-Z510110-H300	0001150015		STARTER ASSY, RECOIL	1

**FIG.8 SHROUD / SHIELD,LOWER ( E14 )**



REF.NO.	Reference Externe External reference	Reference	Disponible / Available	DESIGNATION - DESCRIPTION	QTY
E14-1	28110-Z510110-H300	000/120 0070		SHROUD	1
E14-2	90001-0612-03			BOLT	4
E14-3	19306-Z510110-0000	000/120 0072		DEFLECTOR, CRANKCASE AIR	1
E14-4	90001-0616-01			BOLT	1
E14-5	19304-Z510110-0000			SHROUD, CYLINDER BODY	1
E14-6	90001-0610-01			BOLT	1
E14-7	30028-Z510110-0000			SHIELD , SHROUD	1
E14-8	35540-Z060120-Q200			SWITCH SUBASSEMBLY, STOP ENGINE	1

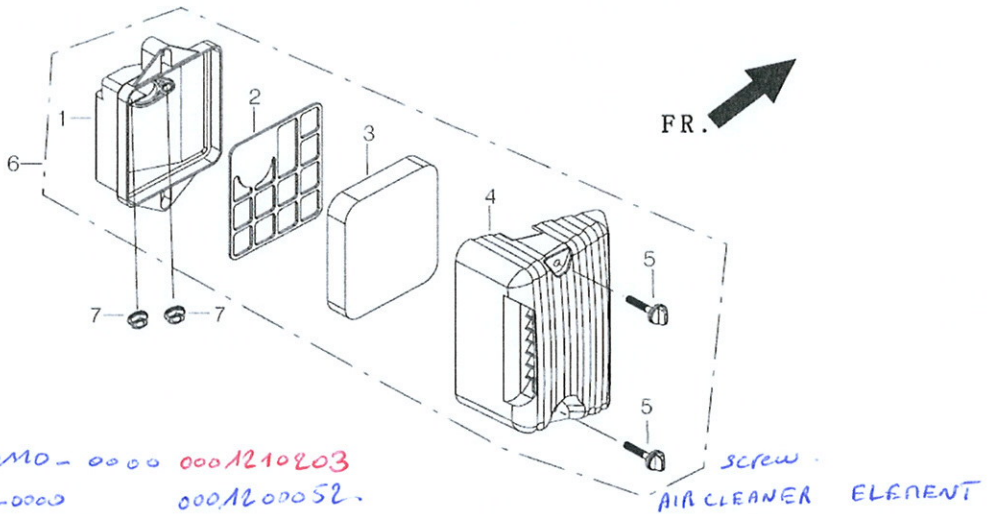
**FIG.9 CARBURETOR ASSY. ( E11 )**



REF.NO.	Reference Externe External reference	Reference	Disponible / Available	DESIGNATION - DESCRIPTION	QTY
E11-25	16001-Z510110-0000	000 MS 0018		GASKET, CARBURETOR	2
E11-26	16003-Z510110-0000	000 MS 0019		PLATE, CARBURETOR INSULATOR	1
E11-27	17001-Z510110-0000	000 MS 0018		GASKET, AIR CLEANER	1
E11-28	16100-Z510110-0000	000 MS 0017		CARBURETOR ASSY.	1



FIG.10 CLEANER, AIR ( F02 )

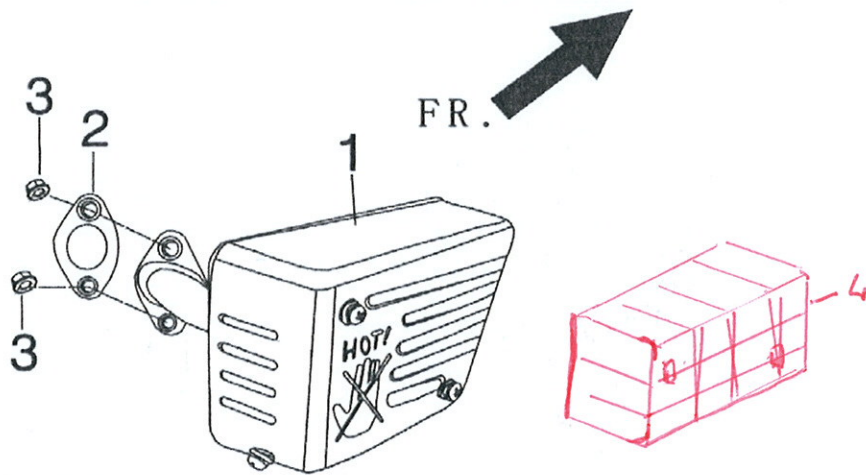


E04-5 17113 Z51 0M0-0000 0001210203  
 E04-3 17151-Z510M0-0000 0001200052.

2  
1

REF.NO.	Reference Externe External reference	Reference	Disponibile / Available	DESIGNATION - DESCRIPTION	QTY
E04-6	17100-Z510110-0000	0001210200		CLEANER, AIR	1
E04-7	90305-0600-31			NUT	2

FIG.11 MUFFLER ASSY. ( F04 )



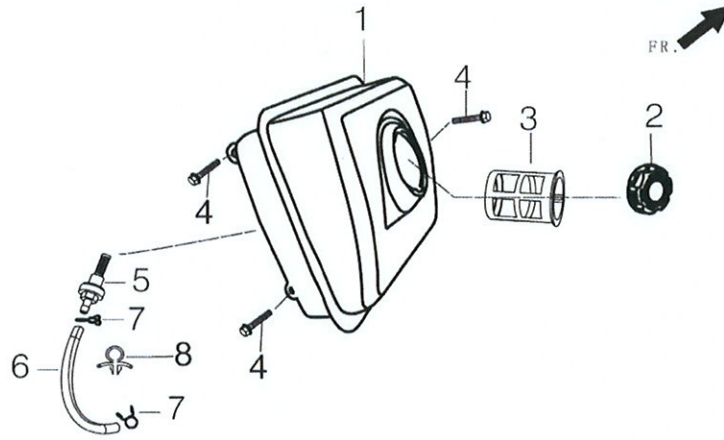
REF.NO.	Reference Externe External reference	Reference	Disponibile / Available	DESIGNATION - DESCRIPTION	QTY
F04-1	18100-Z510110-0000	0001240204		MUFFLER ASSY.	1
F04-2	18001-Z510110-0000	0001200085		GASKET, EXHAUST OUTLET	1
F04-3	90303-0800-31			NUT	2

4

0330092002.

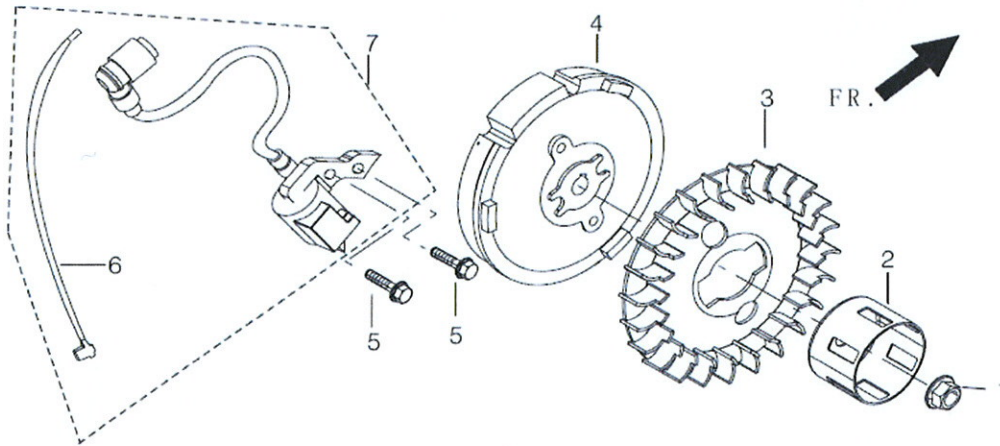
Exhaust grill.

FIG.12 TANK ASSY, FUEL ( F01 )



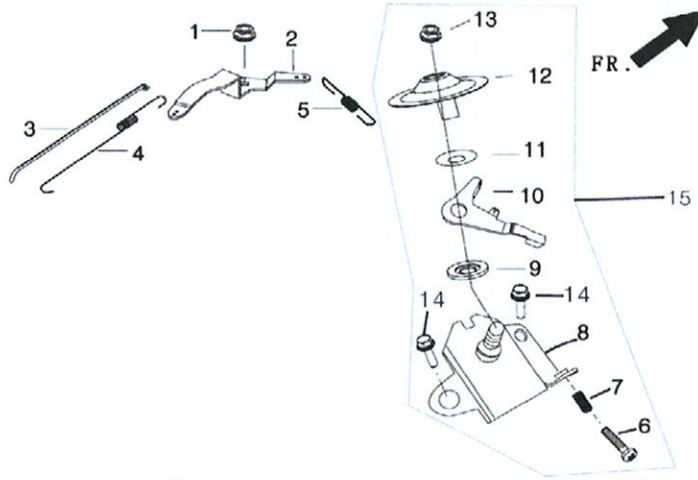
REF.NO.	Reference Externe External reference	Reference	Disponible / Available	DESIGNATION - DESCRIPTION	QTY
F01-1	16620-Z510110-H300	000 M5 0031		TANK, FUEL	1
F01-2	16730-Z300110-0000	000 M8 0037		COVER, FUEL TANK	1
F01-3	16652-Z010110-0000	000 M5 0030		STRAINER , FUEL	1
F01-4	90001-0632-01			BOLT	3
F01-5	16680-Z010110-0000	000 M5 0027		OUTLET SUBASSEMBLY, FUEL TANK OIL	1
F01-6	90686-Z510110-0000	000 M5 0 M4		TUBE, FUEL	1
F01-7	90740-Z010210-0000			COLLAR	2
F01-8	90684-Z080110-0000			CLIP	1

FIG.13 FLYWHEEL / IMPELLER / STARTER PULLEY / IGNITION COIL ( E15 )



REF.NO.	Reference Externe External reference	Reference	Disponible / Available	DESIGNATION - DESCRIPTION	QTY
E15-1	13501-Z510110-0000	0300 251203		NUT, FLYWHEEL 1718 x 125	1
E15-2	28002-Z510110-0000	000 M5 0033		PULLEY, STARTER	1
E15-3	19352-Z510110-0000	000 12 0043		IMPELLER	1
E15-4	13510-Z510110-0000	000 12 0041		FLYWHEEL SUBASSEMBLY	1
E15-5	90001-0620-01			BOLT	2
E15-7	30400-Z510110-0000	000 M5 0020		COIL, IGNITION	1

FIG.14 CONTROL ASSY, THROTTLE ( E13 )



REF.NO.	Reference Externe External reference	Reference	Disponible / Available	DESIGNATION - DESCRIPTION	QTY
E13-1	90305-0600-31			NUT	1
E13-2	16070-Z510110-0000			SUPPORT SUBASSEMBLY, GOVERNOR	1
E13-3	16062-Z510110-0000	000 120 0066 .		ROD, GOVERNEOR	1
E13-4	16063-Z510210-0000	000 121 0205		SPRING, GOVERNOR	1
E13-5	16012-Z510110-0000	000 115 0022		SPRING, THROTTLE VALVE RETURNING	1
E13-14	90001-0608-01			BOLT	2
E13-15	16520-Z510110-0000			CONTROL ASSY, THROTTLE	1