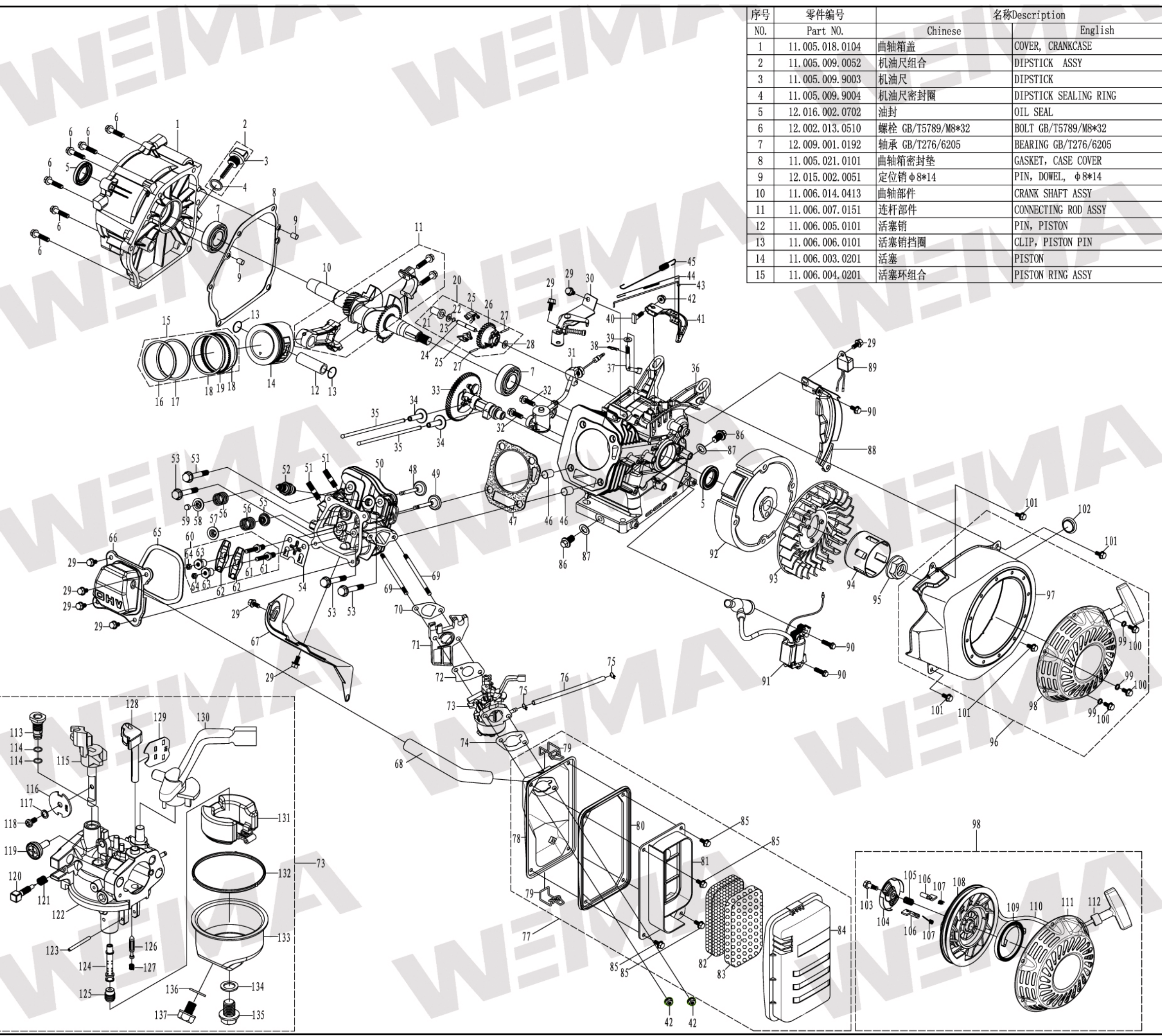


WM170F/P机组动力爆炸图



序号	零件编号	名称Description	数量	序号	零件编号	名称Description	数量	序号	零件编号	名称Description	数量
NO.	Part NO.	Chinese English	QTY.	NO.	Part NO.	Chinese English	QTY.	NO.	Part NO.	Chinese English	QTY.
1	11.005.018.0104	曲轴箱盖	1	16	11.006.004.9014	气环一	1	77	11.001.016.0105	空气滤清器部件	1
2	11.005.009.0052	机油尺组合	1	17	11.006.004.9015	气环二	1	78	11.001.016.9055	空气滤清器底座	1
3	11.005.009.9003	机油尺	1	18	11.006.004.9016	片环	2	79	11.001.016.9056	空气滤清器锁扣	1
4	11.005.009.9004	机油尺密封圈	1	19	11.006.004.9017	衬环	1	80	11.001.016.9057	橡胶密封圈	1
5	12.016.002.0702	油封	2	20	11.012.009.0202	调速从动齿轮组合	1	81	11.001.016.9058	滤芯挡板	1
6	12.002.013.0510	螺栓 GB/T5789/M8*32	6	21	11.012.009.9017	调速帽	1	82	11.001.016.9059	细滤芯	1
7	12.009.001.0192	轴承 GB/T276/6205	2	22	11.012.009.9018	调速帽垫片 φ6.2*φ15*0.6	1	83	11.001.016.9060	粗滤芯	1
8	11.005.021.0101	曲轴箱密封垫	1	23	11.012.009.9019	卡圈	1	84	11.001.016.9061	空气滤清器盖	1
9	12.015.002.0051	定位销 φ8*14	2	24	11.012.009.9020	调速齿芯轴	1	85	12.002.012.0121	螺栓GB/T16674/M6*10	4
10	11.006.014.0413	曲轴部件	1	25	11.012.009.9021	飞块	2	86	12.002.012.0062	放油螺栓GB/T16674/M10*15	2
11	11.006.007.0151	连杆部件	1	26	11.012.009.9023	调速齿轮	1	87	12.006.014.0202	平垫圈GB/T97/φ10*φ16*1.5	2
12	11.006.005.0101	活塞销	1	27	11.012.009.9022	飞块销	2	88	11.005.017.0053	曲轴箱侧板	1
13	11.006.006.0101	活塞销挡圈	2	28	11.012.009.9024	调速齿轮垫片 φ6.2*φ12*0.6	1	89	11.008.003.0001	单向导通器	1
14	11.006.003.0201	活塞	1	29	12.002.013.0140	螺栓GB/T5789/M6*12	8	90	12.002.013.0180	螺栓GB/T5789/M6*22	3
15	11.006.004.0201	活塞环组合	1	30	11.012.023.0205	油门操纵组合	1	91	11.008.004.0101	点火器部件	1
				31	11.005.010.0101	机油传感器	1	92	11.008.007.0101	飞轮部件	1
				32	12.002.013.0160	螺栓GB/T5789/M6*16	2	93	11.010.012.0101	叶轮	1
				33	11.004.019.0003	凸轮轴总成	1	94	11.007.006.0101	启动杯	1
				34	11.004.015.0151	气门挺柱	2	95	12.001.005.0080	螺母GB/T6177/M14*1.5	1
				35	11.004.021.0051	推杆	2	96	11.007.009.0489	启动器总成	1
				36	11.005.022.0204	曲轴箱体	1	97	11.007.009.9037	导风罩	1
				37	11.012.002.0201	调速摆杆	1	98	11.007.008.0406	启动拉盘组合	1
				38	11.012.004.0201	调速摆杆锁夹	1	99	12.006.009.0001	平垫GB/T95 φ6	3
				39	12.006.014.0044	平垫圈 φ6*φ13*1	1	100	12.002.012.0121	螺栓GB/T16674/M6*10	3
				40	12.002.005.0030	T型螺栓	1	101	12.002.012.0122	螺栓GB/T16674/M6*12	4
				41	11.012.013.0201	调速支架(臂)	1	102	11.007.009.9030	启动器堵头	1
				42	12.001.005.0020	螺母GB/T6177/M6	1	103	11.007.009.9033	中心螺栓	1
				43	11.012.018.0201	拉杆	1	104	11.007.009.9032	棘爪导板	1
				44	11.012.020.0201	微调弹簧	1	105	11.007.009.9035	中心弹簧	1
				45	11.012.010.0301	调速弹簧	1	106	11.007.009.9005	拉盘棘爪	2
				46	12.015.002.0070	定位销 φ10*16	2	107	11.007.009.9034	棘爪回位扭簧	2
				47	11.003.014.0201	汽缸头垫	1	108	11.007.009.9004	启动器卷轮	1
				48	11.004.004.0151	排气门	1	109	11.007.009.9001	启动器盘簧	1
				49	11.004.002.0101	进气门	1	110	11.007.009.9006	拉绳	1
				50	11.003.017.0101	汽缸头组合	1	111	11.007.009.9035	拉盘外壳	1
				51	12.015.026.0001	排气双头螺栓M8*35	2	112	11.007.009.9017	拉手手柄	1
				52	11.008.009.0051	火花塞F7TC	1	113	11.009.006.9064	怠速量孔组件	1
				53	12.002.013.0610	螺栓GB/T5789/M8*60	4	114	11.009.006.9065	怠速量孔密封圈	2
				54	11.004.022.0002	推杆支架	1	115	11.009.006.9066	节气门轴	1
				55	11.004.001.0051	挡油罩	1	116	11.009.006.9067	节气门板	1
				56	11.004.009.0101	气门弹簧	2	117	11.009.006.9068	弹簧垫圈GB/T93 2.5	1
				57	11.004.003.0101	进气门弹簧座	1	118	11.009.006.9069	螺钉GB/T823 M2.5*5	1
				58	11.004.005.0101	排气门弹簧座	1	119	11.009.006.9070	怠速限位螺钉	1
				59	11.004.006.0051	排气门调节帽	1	120	11.009.006.9071	混合比调节螺钉	1
				60	11.004.017.0051	气门摇臂组合	2	121	11.009.006.9072	弹簧	1
				61	11.004.017.9002	气门摇臂定位螺栓	2	122	11.009.006.9090	化油器本体	1
				62	11.004.017.9001	气门摇臂	2	123	11.009.006.9074	浮子销	1
				63	11.004.017.9004	气门摇臂调节螺母	2	124	11.009.006.9091	主喷管	1
				64	11.004.017.9005	气门摇臂锁紧螺母	2	125	11.009.006.9092	主量孔	1
				65	11.003.016.0151	汽缸头盖密封垫	1	126	11.009.006.9077	针阀	1
				66	11.003.015.0151	汽缸头盖	1	127	11.009.006.9078	弹簧	1
				67	11.010.001.0102	挡风罩	1	128	11.009.006.9079	阻风门轴	1
				68	11.001.002.0101	废气管	1	129	11.009.006.9080	阻风门板	1
				69	12.015.025.0001	进气双头螺栓M6*110	2	130	11.009.006.9081	阻风门手柄	1
				70	11.001.009.0031	进气口垫	1	131	11.009.006.9082	浮子	1
				71	11.001.004.0031	隔热板	1	132	11.009.006.9001	浮子室密封圈	1
				72	11.001.005.0031	化油器垫	1	133	11.009.006.9083	浮子室	1
				73	11.009.006.0207	化油器总成	1	134	11.009.006.9084	密封垫	1
				74	11.001.012.0021	空滤器垫	1	135	11.009.006.9085	浮子室固定螺栓	1
				75	11.009.023.0001	油管夹	2	136	11.009.006.9086	密封垫	1
				76	11.009.005.0101	化油器油管L=130	1	137	11.009.006.9087	放油螺栓	1