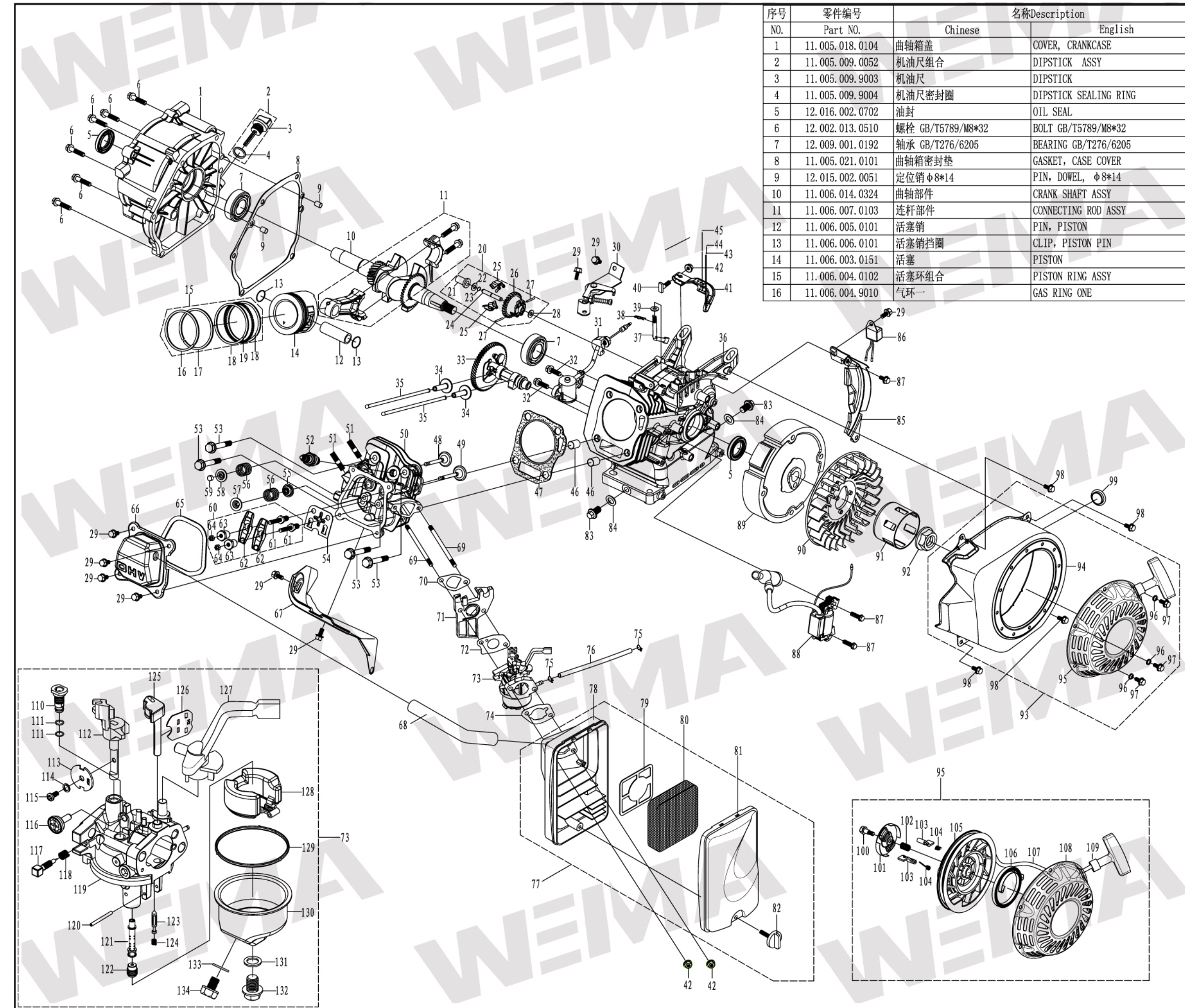


WM168FB/P机组动力爆炸图



序号 NO.	零件编号 Part NO.	名称Description Chinese English	数量 QTY.	序号 NO.	零件编号 Part NO.	名称Description Chinese English	数量 QTY.	序号 NO.	零件编号 Part NO.	名称Description Chinese English	数量 QTY.
1	11.005.018.0104	曲轴箱盖 COVER, CRANKCASE	1	17	11.006.004.9011	气环二 GAS RING TWO	1	76	11.009.005.0101	化油器油管L=130 FUEL TUBE, CARBURETOR L=130	1
2	11.005.009.0052	机油尺组合 DIPSTICK ASSY	1	18	11.006.004.9012	片环 FILM LOOP	2	77	11.001.016.0102	空气滤清器部件 AIR CLEANER ASSY	1
3	11.005.009.9003	机油尺 DIPSTICK	1	19	11.006.004.9013	衬环 BUSH RING	1	78	11.001.016.9034	空气滤清器底座 AIR CLEANER CASE	1
4	11.005.009.9004	机油尺密封圈 DIPSTICK SEALING RING	1	20	11.012.009.0202	调速从动齿轮组合 GOVERNOR KIT	1	79	11.001.016.9054	滤芯挡板 GASKET, AIR CLEANER	1
5	12.016.002.0702	油封 OIL SEAL	2	21	11.012.009.9017	调速帽 SLIDER, GOVERNOR	1	80	11.001.016.9021	滤芯 ELEMENT, AIR CLEANER	1
6	12.002.013.0510	螺栓 GB/T5789/M8*32 BOLT GB/T5789/M8*32	6	22	11.012.009.9018	调速帽垫片 φ6.2*φ15*0.6 WASHER, GOVERNOR SLIDER φ6.2*φ15*0.6	1	81	11.001.016.9032	空气滤清器盖 COVER, AIR CLEANER	1
7	12.009.001.0192	轴承 GB/T276/6205 BEARING GB/T276/6205	2	23	11.012.009.9019	卡圈 CLIP	1	82	11.001.016.9053	空滤器螺栓 BOLT, AIR CLEANER	1
8	11.005.021.0101	曲轴箱密封垫 GASKET, CASE COVER	1	24	11.012.009.9020	调速齿轴 SHAFT, GOVERNOR	1	83	12.002.012.0062	放油螺栓GB/T16674/M10*15 BOLT, DRAIN PLUG GB/T16674/M10*15	2
9	12.015.002.0051	定位销 φ8*14 PIN, DOWEL, φ8*14	2	25	11.012.009.9021	飞块 WEIGHT, GOVERNOR	2	84	12.006.014.0202	平垫圈GB/T97/φ10*φ16*1.5 PLAIN WASHER GB/T97/φ10*φ16*1.5	2
10	11.006.014.0324	曲轴部件 CRANK SHAFT ASSY	1	26	11.012.009.9023	调速齿轮 GOVERNOR GEAR	1	85	11.005.017.0053	曲轴箱侧板 SHROUD COMP	1
11	11.006.007.0103	连杆部件 CONNECTING ROD ASSY	1	27	11.012.009.9022	飞块销 PIN, GOVERNOR WEIGHT	2	86	11.008.003.0001	单向导通器 BREAKER, PROTECTIVE	1
12	11.006.005.0101	活塞销 PIN, PISTON	1	28	11.012.009.9024	调速齿轮垫片 φ6.2*φ12*0.6 WASHER, SLAVE GEAR GOVERNOR φ6.2*φ12*0.6	1	87	12.002.013.0180	螺栓GB/T5789/M6*22 BOLT GB/T5789/M6*22	3
13	11.006.006.0101	活塞销挡圈 CLIP, PISTON PIN	2	29	12.002.013.0140	螺栓GB/T5789/M6*12 BOLT GB/T5789/M6*12	8	88	11.008.004.0101	点火器部件 IGNITION	1
14	11.006.003.0151	活塞 PISTON	1	30	11.012.023.0205	油门操纵组合 THROTTLE CONTROL ASSY	1	89	11.008.007.0101	飞轮部件 FLYWHEEL	1
15	11.006.004.0102	活塞环组合 PISTON RING ASSY	1	31	11.005.010.0101	机油传感器 OIL SENSOR	1	90	11.010.012.0101	叶轮 FAN, COOLING	1
16	11.006.004.9010	气环一 GAS RING ONE	1	32	12.002.013.0160	螺栓GB/T5789/M6*16 BOLT GB/T5789/M6*16	2	91	11.007.006.0101	启动杯 PULLEY, STARTER	1
				33	11.004.019.0003	凸轮轴总成 CAMSHAFT ASSY	1	92	12.001.005.0080	螺母GB/T6177/M14*1.5 NUT GB/T6177/M14*1.5	1
				34	11.004.015.0151	气门挺柱 LIFTER, VALVE	2	93	11.007.009.0489	启动器总成 RECOIL STARTER ASSY	1
				35	11.004.021.0051	推杆 ROD, PUSH	2	94	11.007.009.9037	导风罩 FAN COVER	1
				36	11.005.022.0154	曲轴箱体 CRANKCASE COMP	1	95	11.007.008.0406	启动拉盘组合 STARTER COMP, RECOIL	1
				37	11.012.002.0201	调速摆杆 GOVERNOR ARM SHAFT	1	96	12.006.009.0001	平垫GB/T95 φ6 RECOIL STARTER ASSY	3
				38	11.012.004.0201	调速摆杆锁夹 LOCKER, GOVERNOR ARM SHAFT	1	97	12.002.012.0121	螺栓GB/T16674/M6*10 BOLT GB/T16674/M6*10	3
				39	12.006.014.0044	平垫圈 φ6*φ13*1 PLAIN WASHER φ6*φ13*1	1	98	12.002.012.0122	螺栓GB/T16674/M6*12 BOLT GB/T16674/M6*12	4
				40	12.002.005.0030	T型螺栓 T-SHAPE BOLT	1	99	11.007.009.9030	启动器堵头 PLUG, RECOIL STARTER	1
				41	11.012.013.0201	调速支架(臂) ARM, GOVERNOR	1	100	11.007.009.9033	中心螺栓 CENTER POSITION BOLT	1
				42	12.001.005.0020	螺母GB/T6177/M6 NUT GB/T6177/M6	1	101	11.007.009.9032	棘爪导板 RATCHET, GUIDE	1
				43	11.012.018.0201	拉杆 TIE ROD	1	102	11.007.009.9035	中心弹簧 CENTER POSITION SPRING	1
				44	11.012.020.0201	微调弹簧 FINE ADJUSTMENT SPRING	1	103	11.007.009.9005	拉簧棘爪 RATCHET, STARTER	2
				45	11.012.010.0301	调速弹簧 GOVERNING SPRING	1	104	11.007.009.9034	棘爪回位扭簧 RETURN SPRING, RATCHET	2
				46	12.015.002.0070	定位销 φ10*16 PIN, DOWEL, φ10*16	2	105	11.007.009.9004	启动器卷轮 REEL, RECOIL STARTER	1
				47	11.003.014.0151	汽缸头垫 GASKET, CYLINDER HEAD	1	106	11.007.009.9001	启动器盘簧 SPRING, STARTER RETURN	1
				48	11.004.004.0101	排气门 VALVE, EXHAUST	1	107	11.007.009.9006	拉绳 ROPE, RECOIL STARTER	1
				49	11.004.002.0101	进气门 VALVE, INLET	1	108	11.007.009.9035	拉盘外壳 STARTER COVER COMP, RECOIL	1
				50	11.003.017.0053	汽缸头组合 CYLINDER HEAD ASSY	1	109	11.007.009.9017	拉手手柄 HANDLE, STARTER	1
				51	12.015.026.0001	排气双头螺栓M8*35 BOLT, STUD, 8*35	2	110	11.009.006.9064	怠速量孔组件 IDLE HOLE COMPONENT	1
				52	11.008.009.0051	火花塞F7TC PLUG, SPARK F7TC	1	111	11.009.006.9065	怠速量孔密封圈 IDLE HOLE SEAL	2
				53	12.002.013.0610	螺栓GB/T5789/M8*60 BOLT GB/T5789/M8*60	4	112	11.009.006.9066	节气门轴 THROTTLE VALVE PIN	1
				54	11.004.022.0002	推杆支架 PLATE, PUSH ROD GUIDE	1	113	11.009.006.9067	节气门板 THROTTLE VALVE BLOCK	1
				55	11.004.001.0051	挡油罩 VALVE SEAL	1	114	11.009.006.9068	弹簧垫圈GB/T93 2.5 SPRING WASHER GB/T93 2.5	1
				56	11.004.009.0101	气门弹簧 SPRING, VALVE	2	115	11.009.006.9069	螺钉GB/T823 M2.5*5 SCREW GB/T823 M2.5*5	1
				57	11.004.003.0101	进气门弹簧座 INTAKE VALVE SPRING SEAT	1	116	11.009.006.9070	怠速限位螺钉 JET SET, PILOT	1
				58	11.004.005.0101	排气门弹簧座 EXHAUST VALVE SPRING SEAT	1	117	11.009.006.9071	混合比调节螺钉 SCREW SET, PILOT	1
				59	11.004.006.0051	排气门调节帽 ADJUSTER, EX. VALVE	1	118	11.009.006.9072	弹簧 SPRING	1
				60	11.004.017.0051	气门摇臂组合 ARM ASSY, VALVE ROCKER	2	119	11.009.006.9073	化油器本体 MIXTURE CHAMBER BODY	1
				61	11.004.017.9002	气门摇臂定位螺栓 BOLT, PIVOT	2	120	11.009.006.9074	浮子销 PIN, FLOAT SET	1
				62	11.004.017.9001	气门摇臂 ARM, VALVE ROCKER	2	121	11.009.006.9075	主喷管 NOZZLE, MAIN	1
				63	11.004.017.9004	气门摇臂调节螺母 ADJUSTING NUT, VALVE	2	122	11.009.006.9076	主量孔 JET, MAIN	1
				64	11.004.017.9005	气门摇臂锁紧螺母 NUTT, PIVOT LOCKING	2	123	11.009.006.9077	针阀 NEEDLE VALVE	1
				65	11.003.016.0101	汽缸头盖密封垫 GASKET, HEAD COVER	1	124	11.009.006.9078	弹簧 SPRING	1
				66	11.003.015.0106	汽缸头盖 HEAD COVER	1	125	11.009.006.9079	阻风门轴 CHOKE VALVE PIN	1
				67	11.010.001.0102	挡风罩 WINDSHIELD	1	126	11.009.006.9080	阻风门板 CHOKE VALVE BLOCK	1
				68	11.001.002.0101	废气管 WASTE GAS PIPE	1	127	11.009.006.9081	阻风门手柄 CHOKE PLATE HANDLE	1
				69	12.015.025.0001	进气双头螺栓M6*110 BOLT, STUD, M6*110	2	128	11.009.006.9082	浮子 FLOAT SET	1
				70	11.001.009.0031	进气口垫 AIR INTAKE WASHER	1	129	11.009.006.9001	浮子室密封圈 WASHER	1
				71	11.001.004.0031	隔热板 INSULATOR PLATE	1	130	11.009.006.9083	浮子室 CHAMBER SET, FLOAT	1
				72	11.001.005.0031	化油器垫 PACKING, CARBURETOR	1	131	11.009.006.9084	密封垫 GASKET	1
				73	11.009.006.0151	化油器总成 CARBURETOR	1	132	11.009.006.9085	浮子室固定螺栓 BOLT	1
				74	11.001.012.0021	空滤器垫 GASKET, AIR CLEANER	1	133	11.009.006.9086	密封垫 GASKET	1
				75	11.009.023.0001	油管夹 FUEL TUBE CLAMP	2	134	11.009.006.9087	放油螺栓 BOLT, DRAIN PLUG	1